

**BALL VALVE WITH THERMOMETER
MF CONNECTIONS, WITH OR SEAL FITTING
SUITABLE FOR WATER
FULL BORE - SERIES NILO[®]**

CT0067.1_01
EN
May 2016



ACS CONFORMITY

PRODUCTION RANGE

RED KNOB ADJUSTMENT

Code	67.06.90
Size	1"
PN [bar]	25

BLUE KNOB ADJUSTMENT

Code	67.06.80
Size	1"
PN [bar]	25

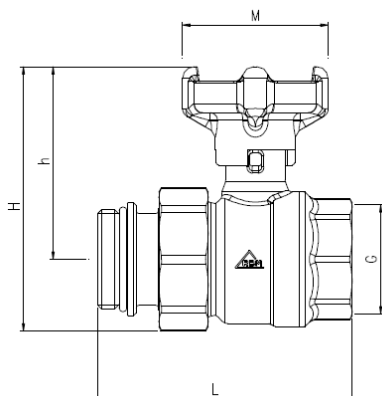
CONSTRUCTION CHARACTERISTICS

Body	: Nickel-plated brass	Stem	: Brass
Ball	: Brass, chrome-plated	Stem guide	: PTFE
Seats	: PTFE	Stem ring	: Brass
O-ring	: EPDM Peroxide	Knob	: Polymer
Tail	: Nickel-plated brass	Bore	: Full
Threads	: UNI-EN-ISO 228		

TECHNICAL CHARACTERISTICS

Working temperature	: -20 ÷ +120°C	Working fluid	: Water
Working P _{max}	: 25 Bar	Thermometer scale	: 0 ÷ +80°C

DIMENSIONAL CHARACTERISTICS



Code	Size G	h [mm]	H [mm]	L [mm]	M [mm]	Kv [m ³ /h]
67.06.90	1"	64,5	88,5	85,6	49	50,87
67.06.80	1"	64,5	88,5	85,6	49	50,87



RBM reserves the right to make improvements and changes to the products described and to their technical details at any moment and without notice; always refer to: the instructions enclosed with the components supplied; this sheet is an aid if they prove to be too schematic. Please contact our technical office for any doubts, problems or clarification.